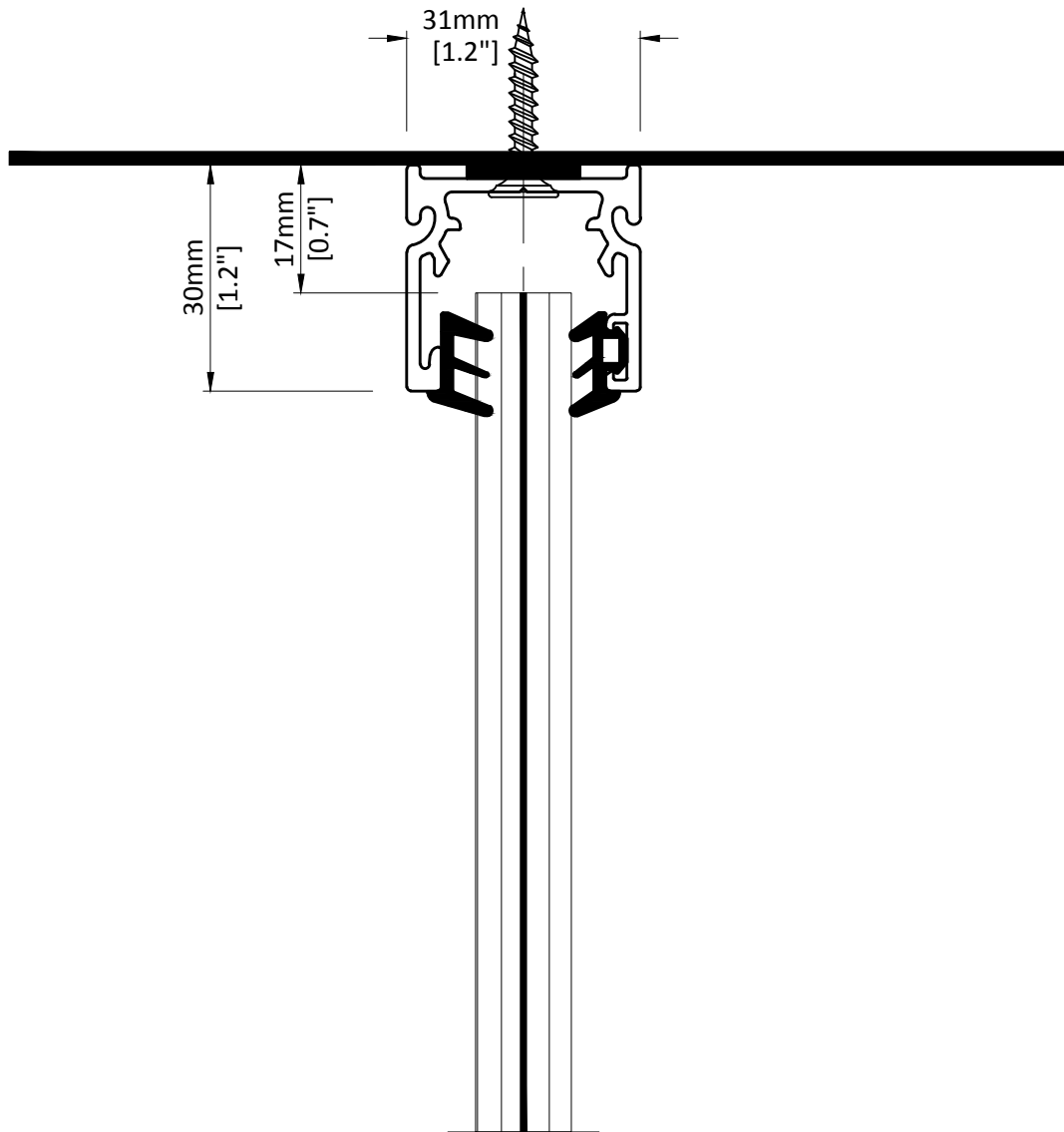


NOTE: this system is also available in 25mm [1"] thickness; instead of 30mm [1.2"]

Project System details - Clearvision Single	Project no.	Detail no. <b>W 000</b>
Description Overview	Scale 1:1	
 <b>VERWOL</b> Architectural Walls Headquarters and production De Veken 21 1716 KE Opmeer The Netherlands +31 - (0)226 36 36 36 international@verwol.nl www.verwol.nl/en		F
		E
		D
		C
		B
		A
MS	01-01-2015	
Drawn	Date	Rev.



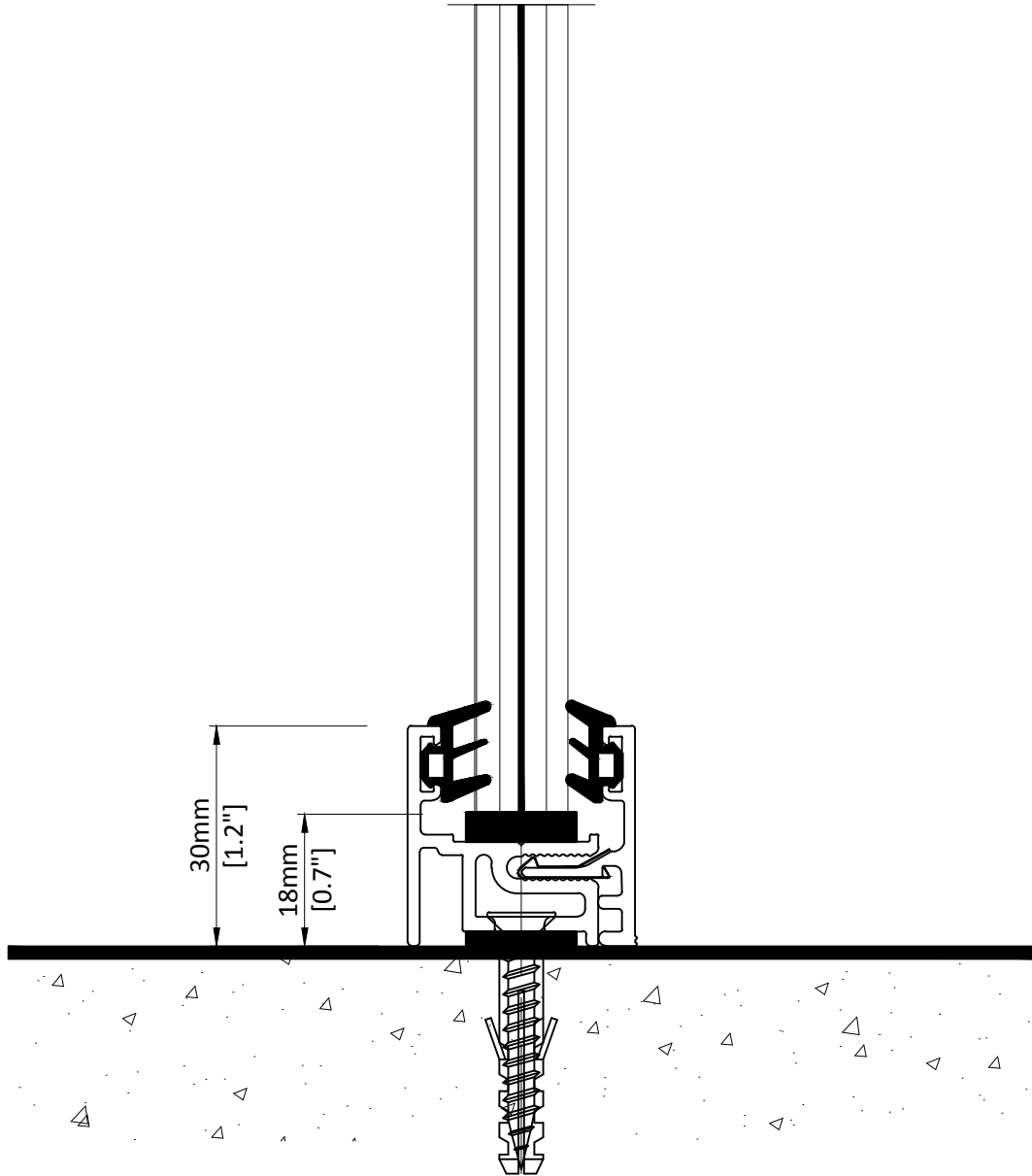
Project System details - Clearvision Single	Project no.	Detail no. <b>W 001</b>
Description Head track	Scale 1:1	CV30.S.35dB.00'.02.-



# VERWOL Architectural Walls

Headquarters and production  
 De Veken 21 +31 - (0)226 36 36 36  
 1716 KE Opmeer international@verwol.nl  
 The Netherlands www.verwol.nl/en

		F
		E
		D
		C
		B
		A
MS	01-01-2015	
Drawn	Date	Rev.



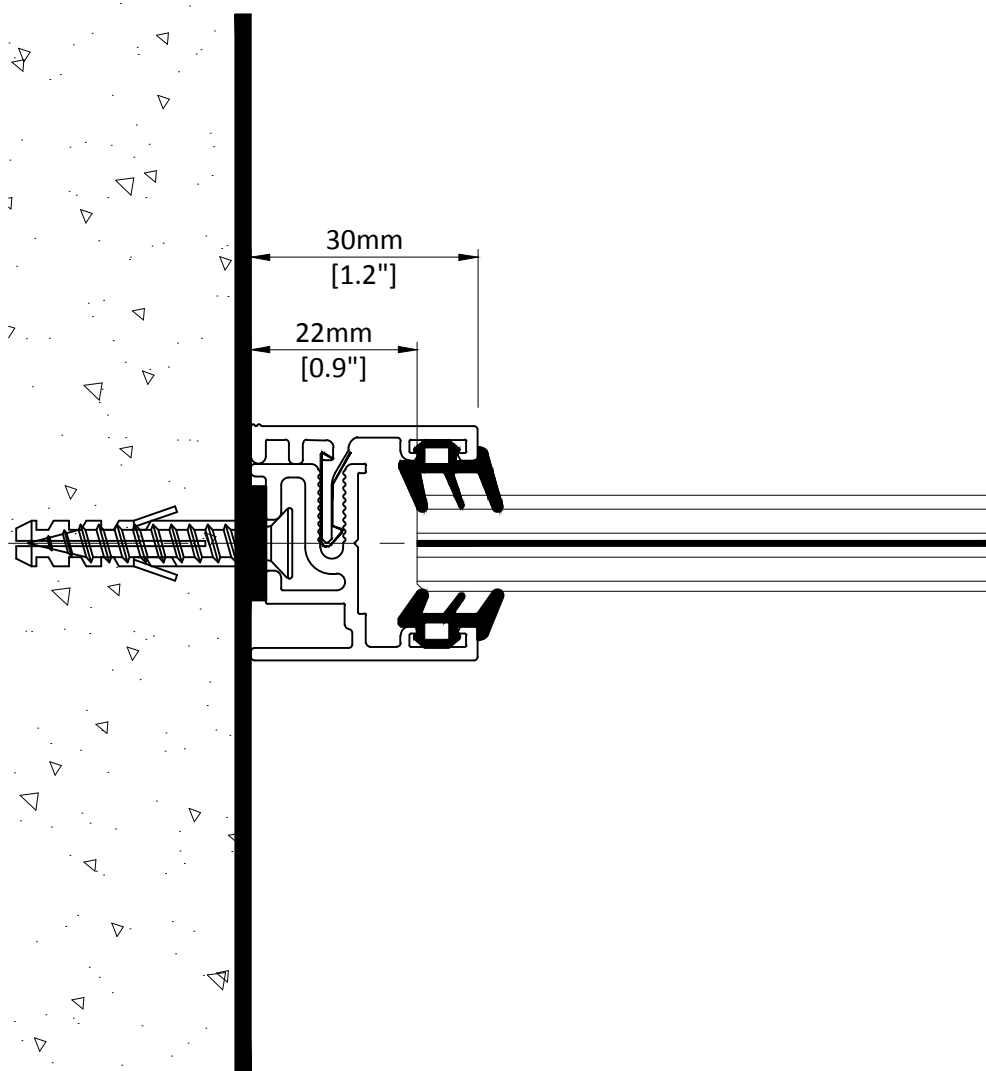
Project System details - Clearvision Single	Project no.	Detail no. W 002
Description Base track	Scale 1:1	CV30.S.35dB.00'.03.-



# VERWOL Architectural Walls

Headquarters and production  
 De Veken 21 +31 - (0)226 36 36 36  
 1716 KE Opmeer international@verwol.nl  
 The Netherlands www.verwol.nl/en

		F
		E
		D
		C
		B
		A
MS	01-01-2015	
Drawn	Date	Rev.



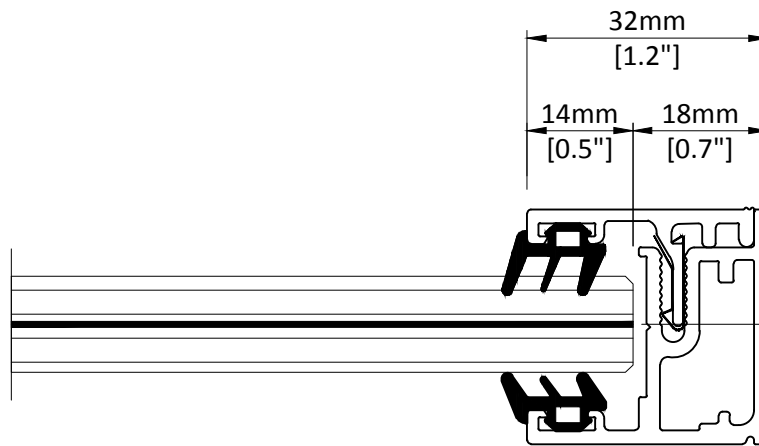
Project System details - Clearvision Single	Project no.	Detail no. <b>W 003</b>
Description wall abutment	Scale 1:1	CV30.S.35dB.00'.04.-



# VERWOL Architectural Walls

Headquarters and production  
 De Veken 21 +31 - (0)226 36 36 36  
 1716 KE Opmeer international@verwol.nl  
 The Netherlands www.verwol.nl/en

		F
		E
		D
		C
		B
		A
MS	01-01-2015	
Drawn	Date	Rev.



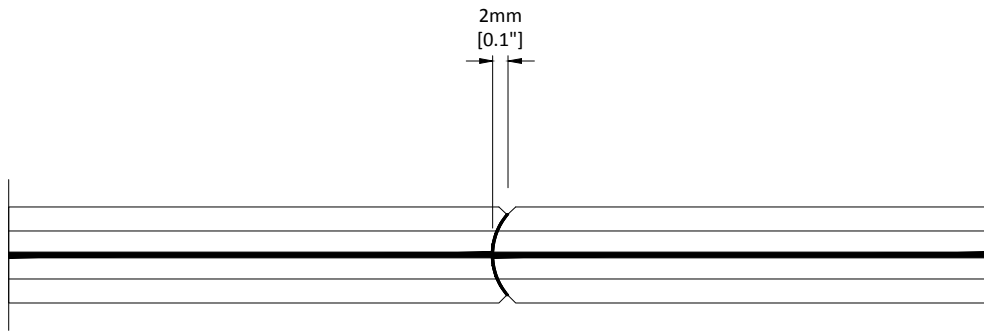
Project <b>System details - Clearvision Single</b>	Project no.	Detail no. <b>W 004</b>
Description end post	Scale 1:1	CV30.S.00dB.00'.06.-



# VERWOL Architectural Walls

Headquarters and production  
 De Veken 21 +31 - (0)226 36 36 36  
 1716 KE Opmeer international@verwol.nl  
 The Netherlands www.verwol.nl/en

		F
		E
		D
		C
		B
		A
MS	01-01-2015	
Drawn	Date	Rev.



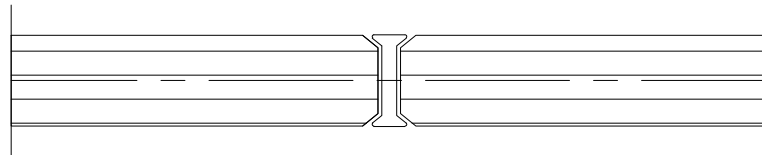
Project <b>System details - Clearvision Single</b>	Project no.	Detail no. <b>W 005</b>
Description convex-concave connection	Scale 1:1	CV30.S.35dB.00'.07.-



# VERWOL Architectural Walls

Headquarters and production  
 De Veken 21 +31 - (0)226 36 36 36  
 1716 KE Opmeer international@verwol.nl  
 The Netherlands www.verwol.nl/en

		F
		E
		D
		C
		B
		A
MS	01-01-2015	
Drawn	Date	Rev.



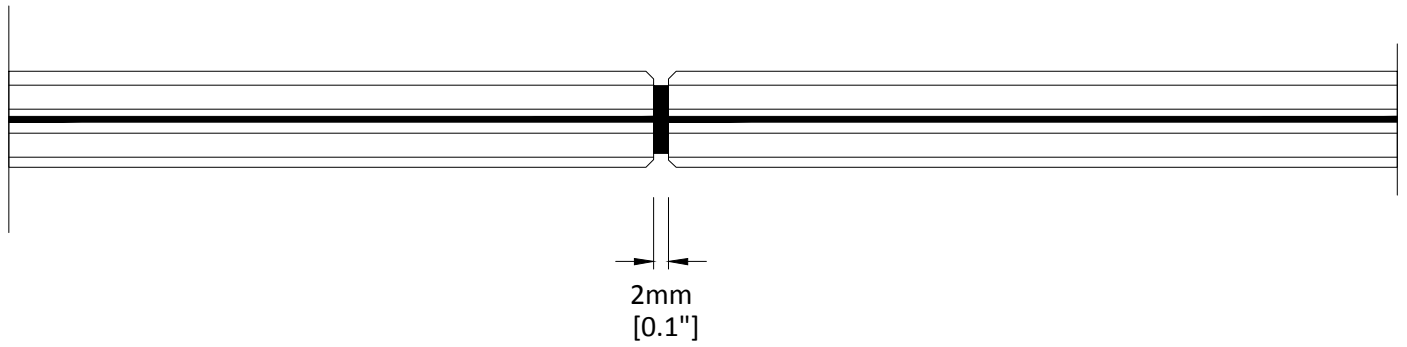
Project <b>System details - Clearvision Single</b>	Project no.	Detail no. <b>W 006</b>
Description I joint connection	Scale 1:1	



# VERWOL Architectural Walls

Headquarters and production  
 De Veken 21 +31 - (0)226 36 36 36  
 1716 KE Opmeer international@verwol.nl  
 The Netherlands www.verwol.nl/en

		F
		E
		D
		C
		B
		A
MS	01-01-2015	
Drawn	Date	Rev.



Project <b>System details - Clearvision Single</b>	Project no.	Detail no. <b>W 007</b>
Description dry connection	Scale 1:1	CV30.S.00dB.00'.09.A

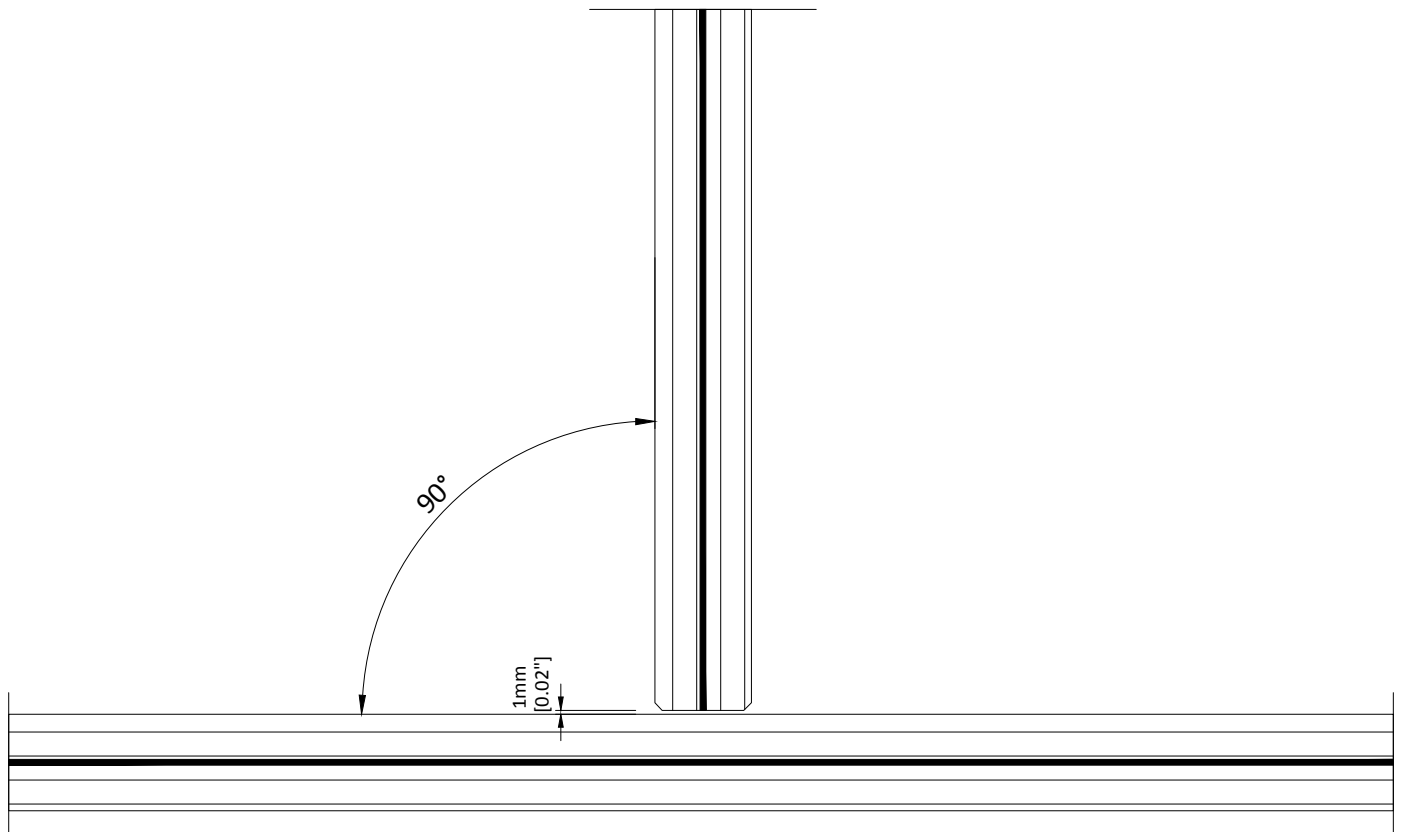


# VERWOL Architectural Walls

Headquarters and production  
 De Veken 21 +31 - (0)226 36 36 36  
 1716 KE Opmeer international@verwol.nl  
 The Netherlands www.verwol.nl/en

		F
		E
		D
		C
		B
		A
MS	01-01-2015	
Drawn	Date	Rev.





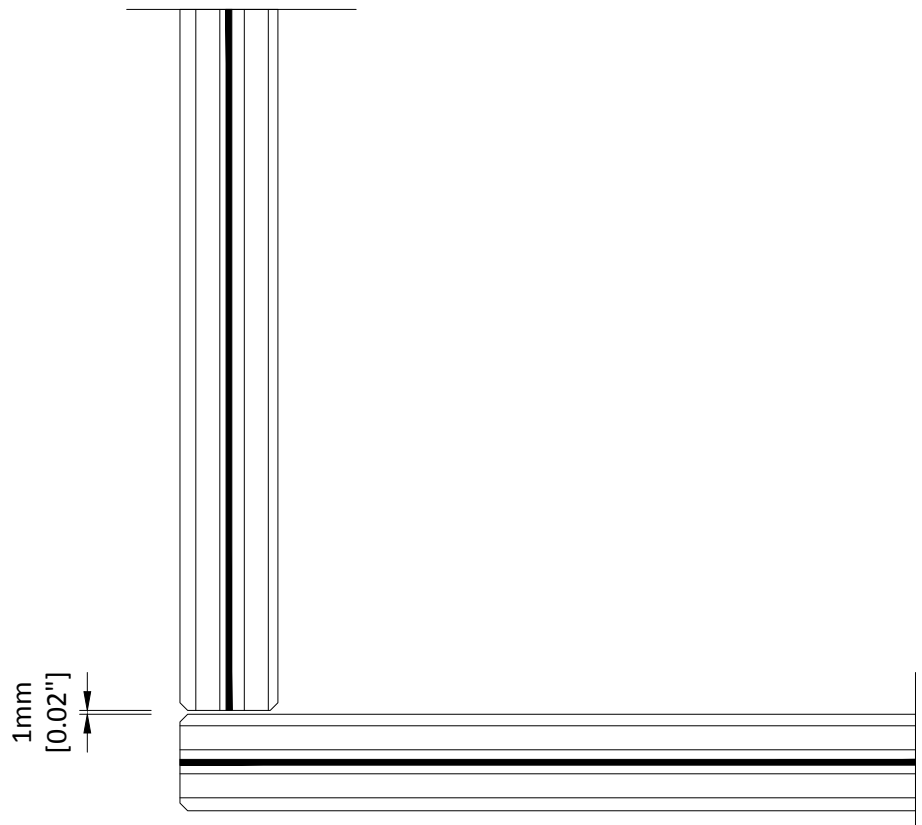
Project <b>System details - Clearvision Single</b>	Project no.	Detail no. <b>W 008</b>
Description cross connection UV glued	Scale 1:1	CV30.S.00dB.00'.11.-



# VERWOL Architectural Walls

Headquarters and production  
 De Veken 21 +31 - (0)226 36 36 36  
 1716 KE Opmeer international@verwol.nl  
 The Netherlands www.verwol.nl/en

		F
		E
		D
		C
		B
		A
MS	01-01-2015	
Drawn	Date	Rev.



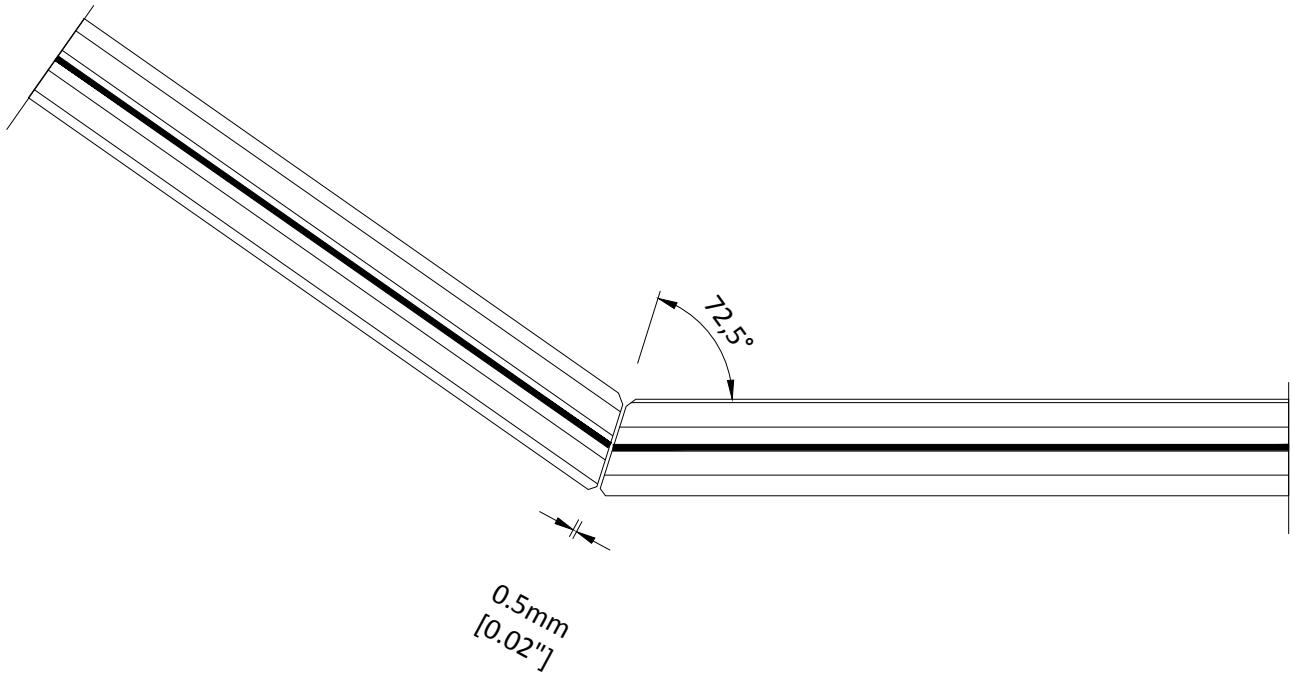
Project <b>System details - Clearvision Single</b>	Project no.	Detail no. <b>W 009</b>
Description 90° angle UV glued	Scale 1:1	CV30.S.00dB.00'.12.-



# VERWOL Architectural Walls

Headquarters and production  
 De Veken 21 +31 - (0)226 36 36 36  
 1716 KE Opmeer international@verwol.nl  
 The Netherlands www.verwol.nl/en

		F
		E
		D
		C
		B
		A
MS	01-01-2015	
Drawn	Date	Rev.



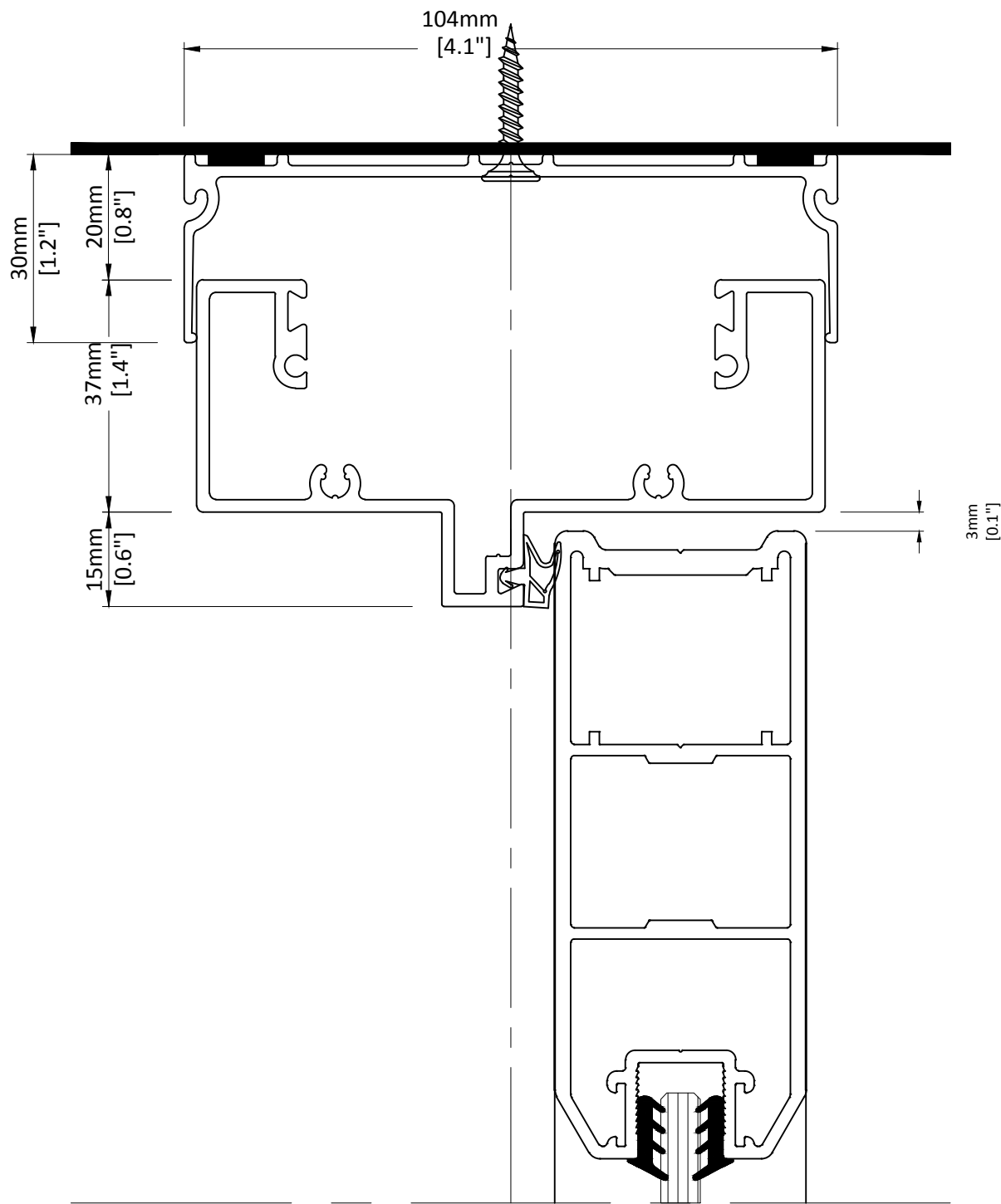
Project <b>System details - Clearvision Single</b>	Project no.	Detail no. <b>W 010</b>
Description variable angle UV glued	Scale 1:1	CV30.S.00dB.00'.13.-



# VERWOL Architectural Walls

Headquarters and production  
 De Veken 21 +31 - (0)226 36 36 36  
 1716 KE Opmeer international@verwol.nl  
 The Netherlands www.verwol.nl/en

		F
		E
		D
		C
		B
		A
MS	01-01-2015	
Drawn	Date	Rev.



Project  
System details - Clearvision Single

Project no.

Detail no.  
**W 011A**

Description  
Head track with standard doorframe

Scale  
1:1

KD100.S.00dB.00'.12.-



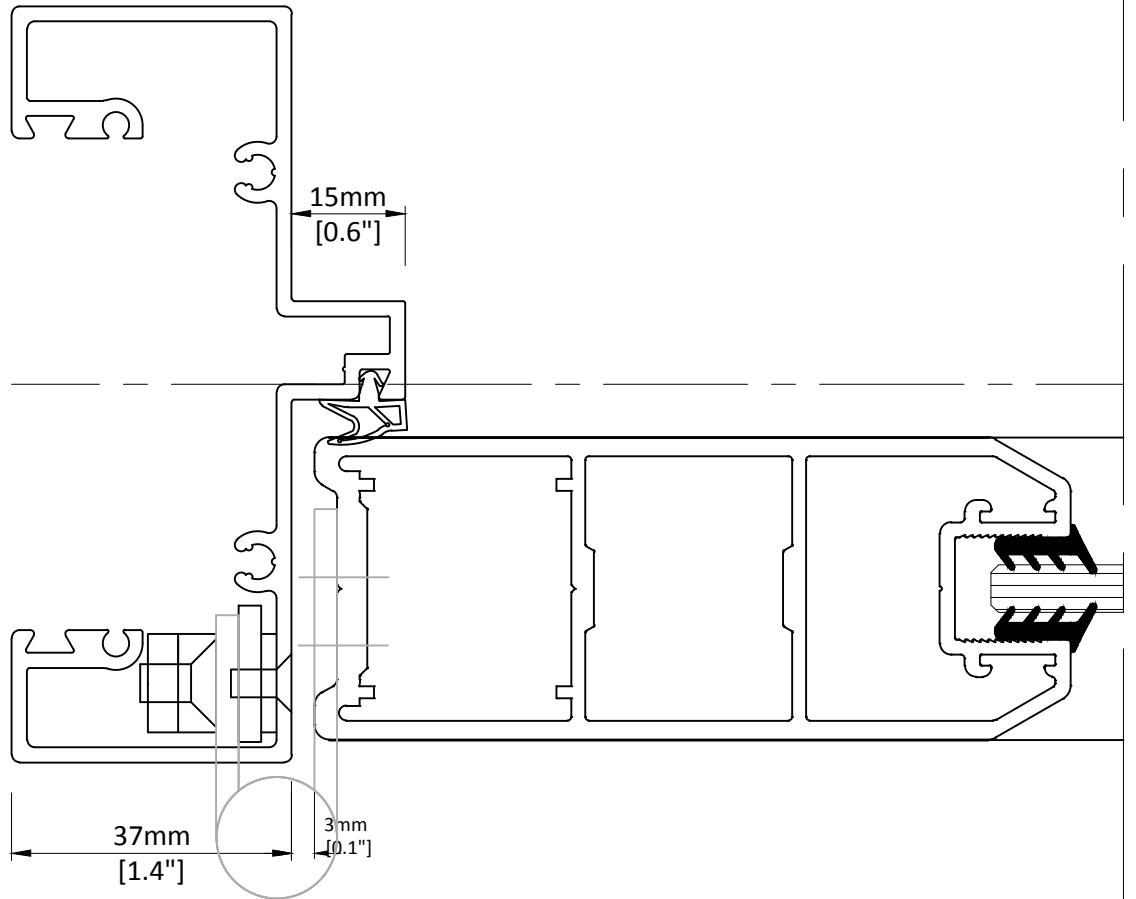
# VERWOL Architectural Walls

Headquarters and production

De Veken 21  
1716 KE Opmeer  
The Netherlands

+31 - (0)226 36 36 36  
international@verwol.nl  
www.verwol.nl/en

		F
		E
		D
		C
		B
		A
MS	01-01-2015	
Drawn	Date	Rev.



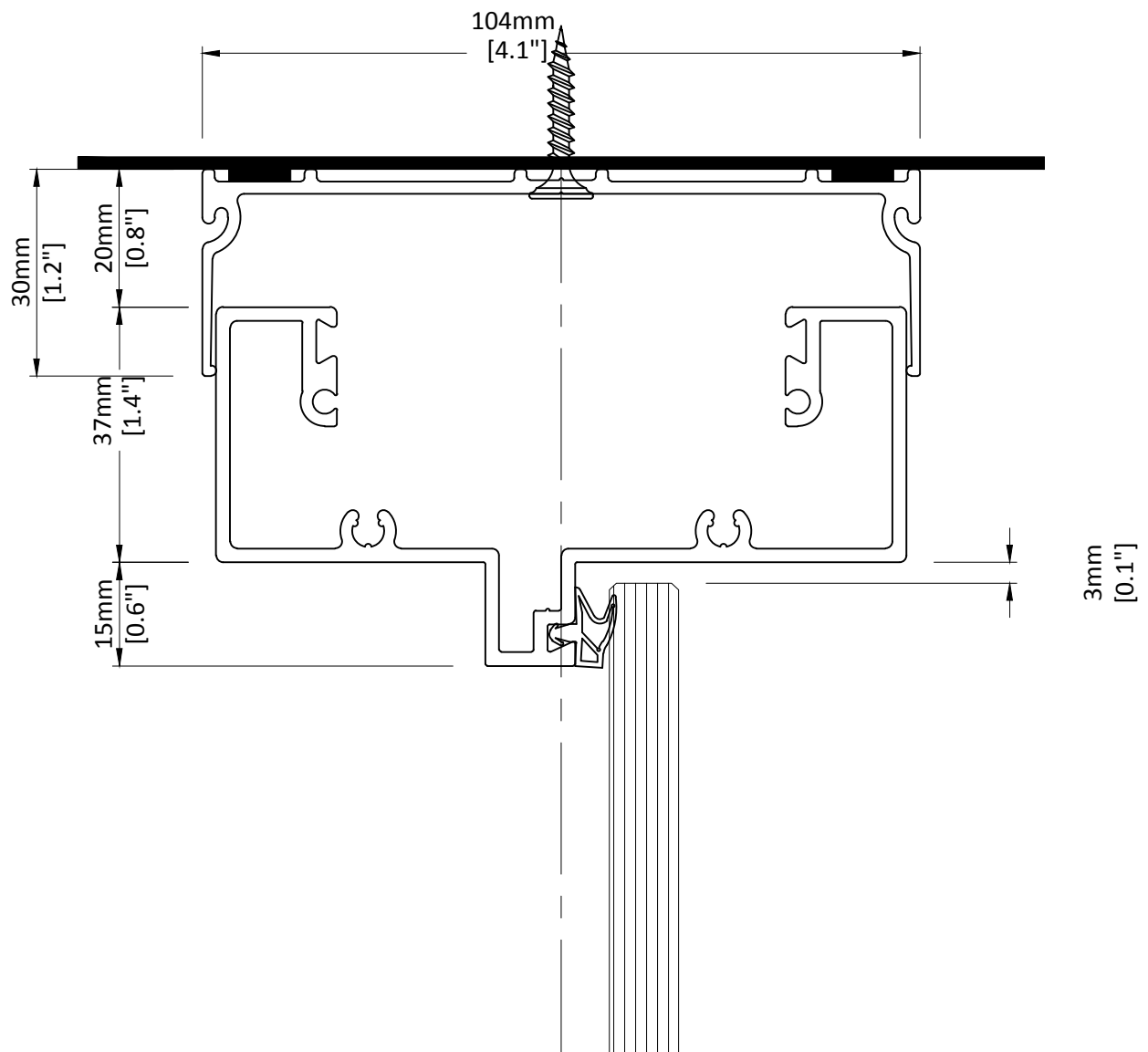
Project <b>Verkoopdetails</b>	Project no.	Detail no. <b>W 011B</b>
Description connection single glass to standard doorframe	Scale 1:1	KD100.S.00dB.00'.21.-



# VERWOL Architectural Walls

Headquarters and production  
 De Veken 21 +31 - (0)226 36 36 36  
 1716 KE Opmeer international@verwol.nl  
 The Netherlands info@verwol.nl www.verwol.nl/en

		F
		E
		D
		C
		B
		A
MS	01-01-2015	
Drawn	Date	Rev.



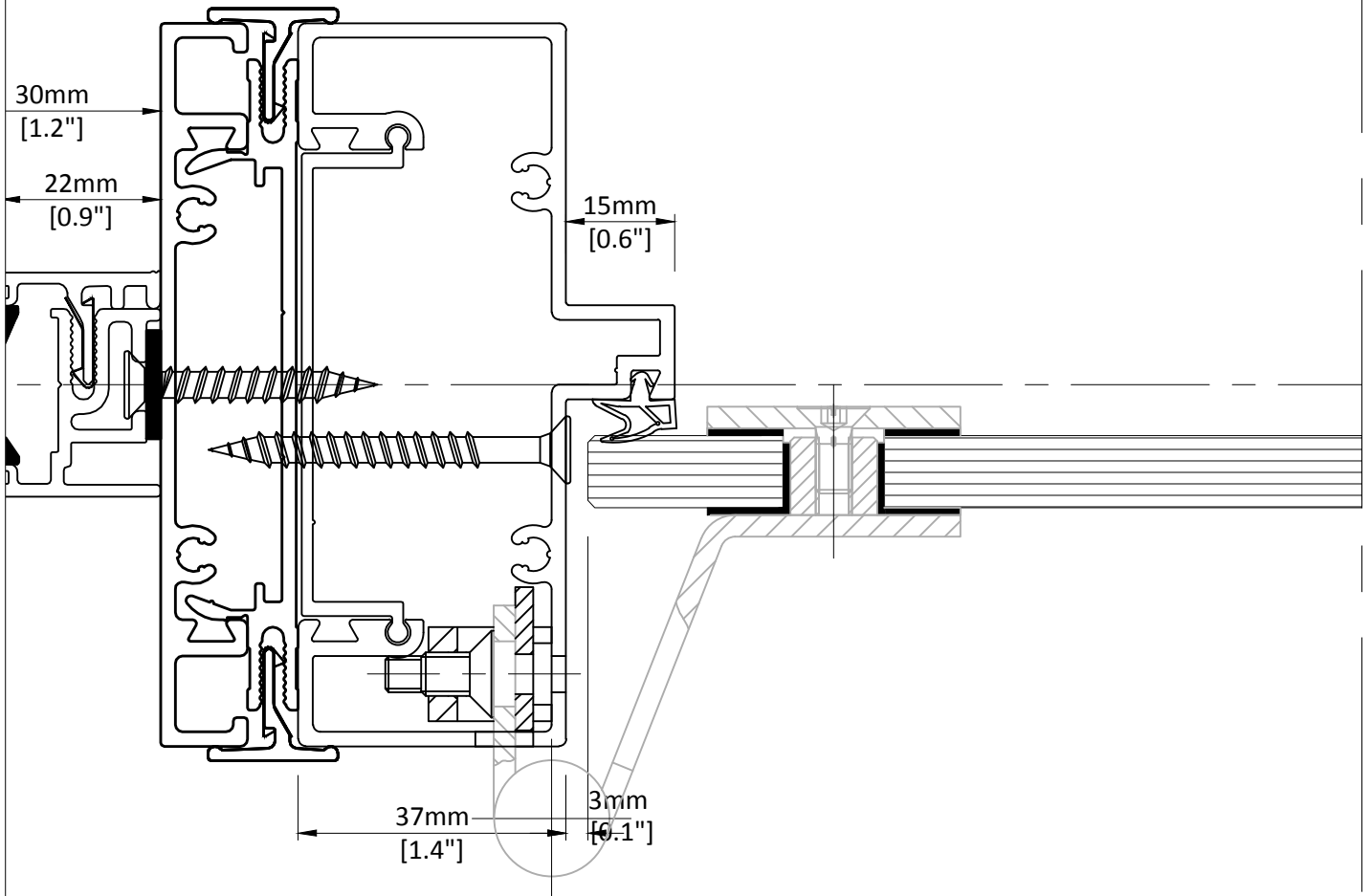
Project System details - Clearvision Single	Project no.	Detail no. W 012A
Description Head track with standard doorframe	Scale 1:1	GD100.S.00dB.00'.12.-



# VERWOL Architectural Walls

Headquarters and production  
 De Veken 21 +31 - (0)226 36 36 36  
 1716 KE Opmeer international@verwol.nl  
 The Netherlands www.verwol.nl/en

		F
		E
		D
		C
		B
		A
MS	01-01-2015	
Drawn	Date	Rev.



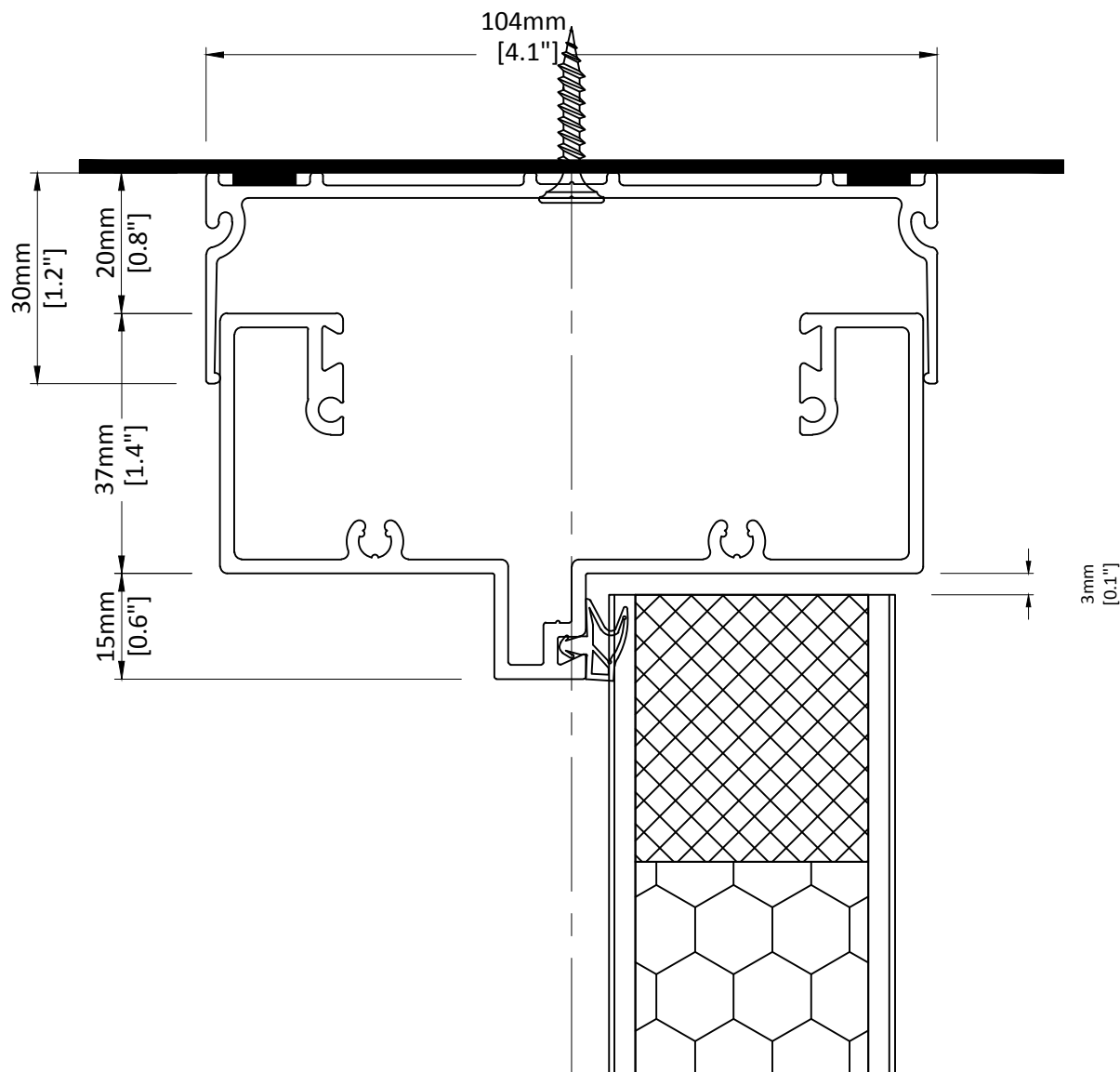
Project System details - Clearvision Single	Project no.	Detail no. <b>W 012B</b>
Description connection single glass to standard doorframe	Scale 1:1	GD100.S.00dB.00'.21.-



# VERWOL Architectural Walls

Headquarters and production  
 De Veken 21 +31 - (0)226 36 36 36  
 1716 KE Opmeer international@verwol.nl  
 The Netherlands www.verwol.nl/en

		F
		E
		D
		C
		B
		A
MS	01-01-2015	
Drawn	Date	Rev.



Project <b>Verkoopdetails</b>	Project no.	Detail no. <b>W 013A</b>
Description Head track with standard doorframe	Scale 1:1	HD100.S.00dB.00'.12.-

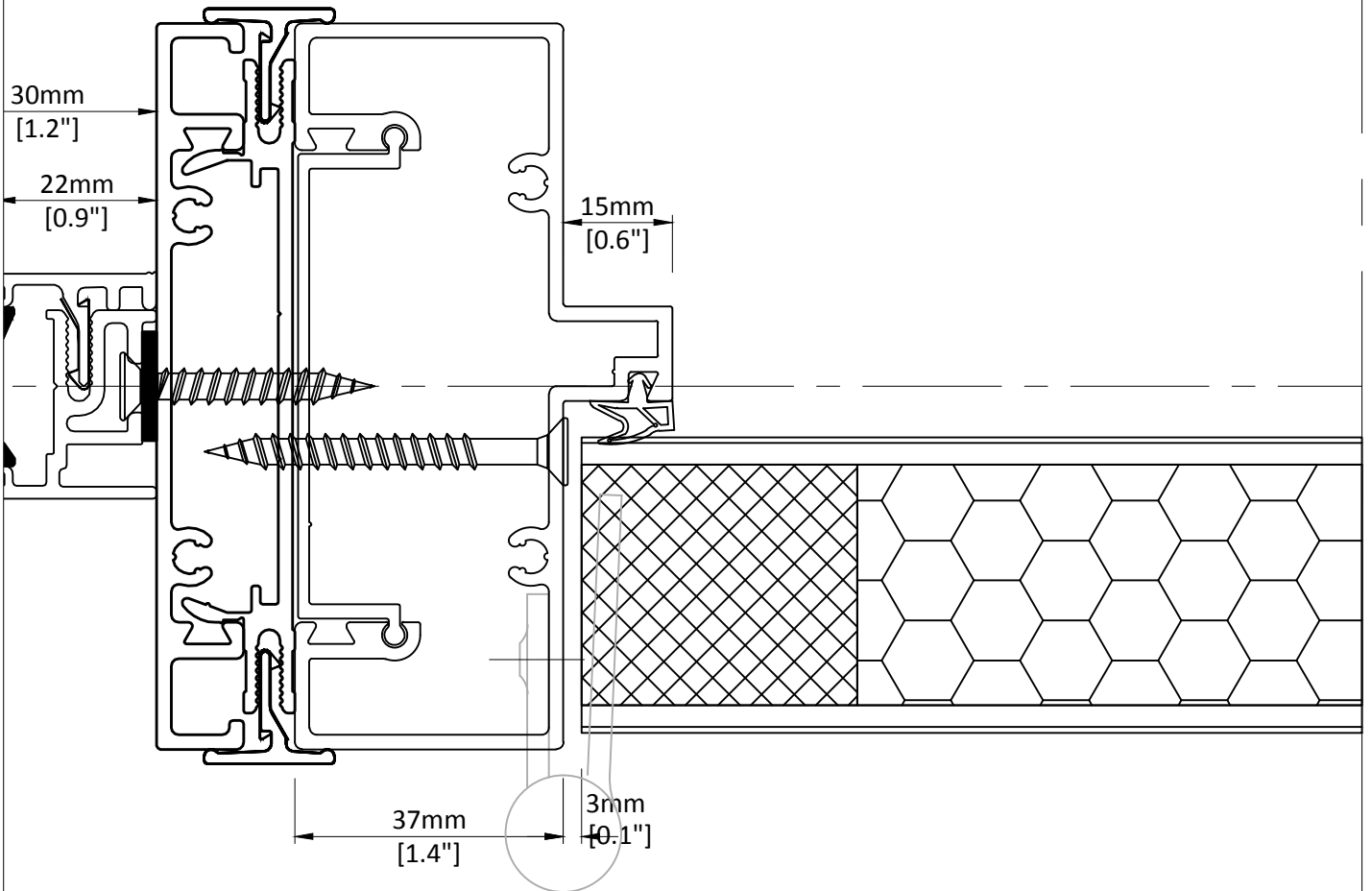


# VERWOL Architectural Walls

Headquarters and production  
 De Veken 21 +31 - (0)226 36 36 36  
 1716 KE Opmeer international@verwol.nl  
 The Netherlands info@verwol.nl www.verwol.nl/en

		F
		E
		D
		C
		B
		A
MS	01-01-2015	
Drawn	Date	Rev.





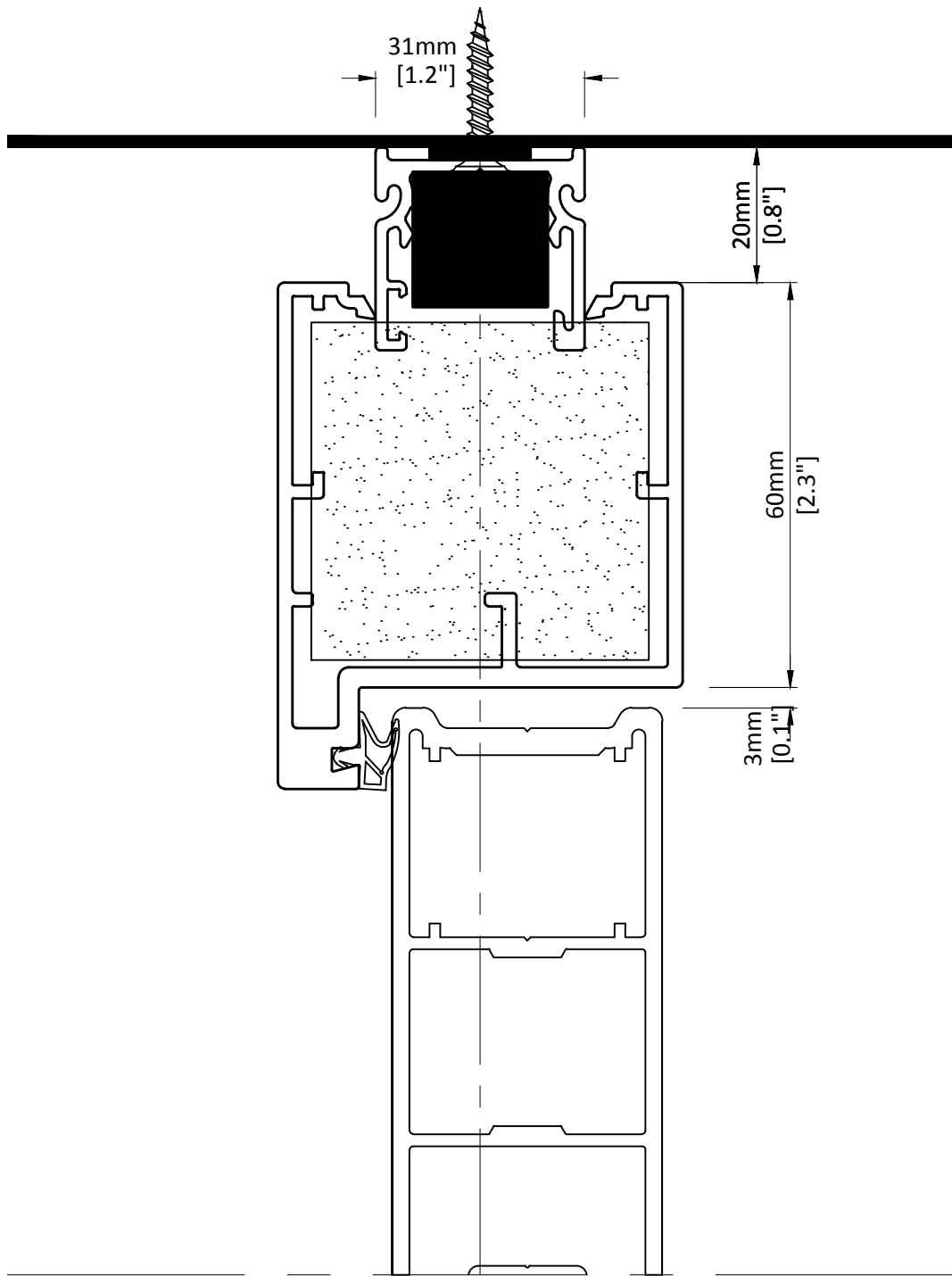
Project <b>Verkoopdetails</b>	Project no.	Detail no. <b>W 013B</b>
Description standard doorframe	Scale 1:1	HD100.S.00dB.00'.21.-



# VERWOL Architectural Walls

Headquarters and production  
 De Veken 21 +31 - (0)226 36 36 36  
 1716 KE Opmeer international@verwol.nl  
 The Netherlands info@verwol.nl www.verwol.nl/en

		F
		E
		D
		C
		B
		A
MS	01-01-2015	
Drawn	Date	Rev.



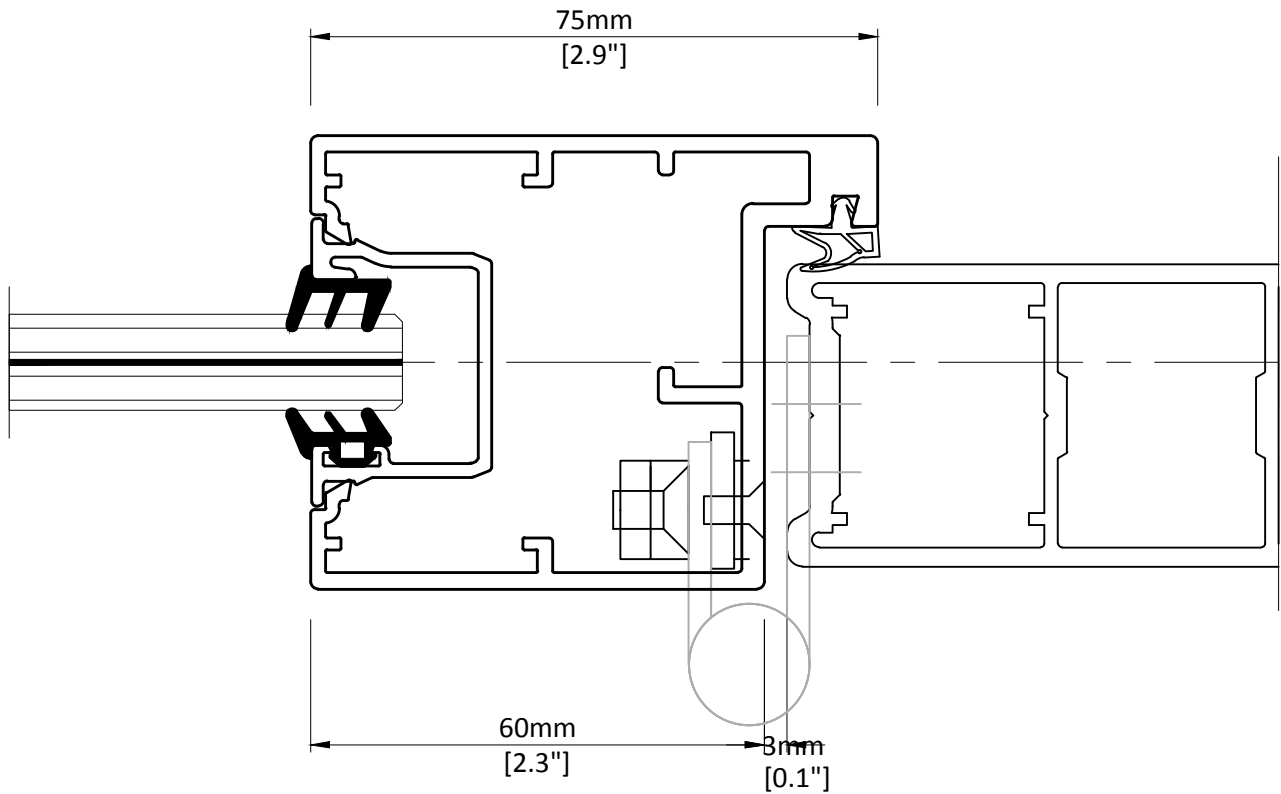
Project <b>Verkoopdetails</b>	Project no.	Detail no. <b>W 014A</b>
Description small doorframe	Scale 1:1	KD100.S.00dB.00'.19.-



# VERWOL Architectural Walls

Headquarters and production  
 De Veken 21 +31 - (0)226 36 36 36  
 1716 KE Opmeer international@verwol.nl  
 The Netherlands info@verwol.nl www.verwol.nl/en

		F
		E
		D
		C
		B
		A
MS	01-01-2015	
Drawn	Date	Rev.



Project System details - Clearvision Single	Project no.	Detail no. <b>W 014B</b>
Description small doorframe	Scale 1:1	KD100.S.00dB.00'.37.-



# VERWOL Architectural Walls

Headquarters and production  
 De Veken 21 +31 - (0)226 36 36 36  
 1716 KE Opmeer international@verwol.nl  
 The Netherlands www.verwol.nl/en

		F
		E
		D
		C
		B
		A
MS	01-01-2015	
Drawn	Date	Rev.